

Installation instructions for PZ4AL-02372-00, PZ4AL-02373-00 Under Run Protective Shield Engine Bay and Transmission Case

TOYOTA RAV4



Model Year

RAV4 - 2012 -

Vehicle Code

ASA44L-ANTGK

Part Number

Steel: PZ4AL-02372-00
Aluminium: PZ4AL-02373-00



Weight

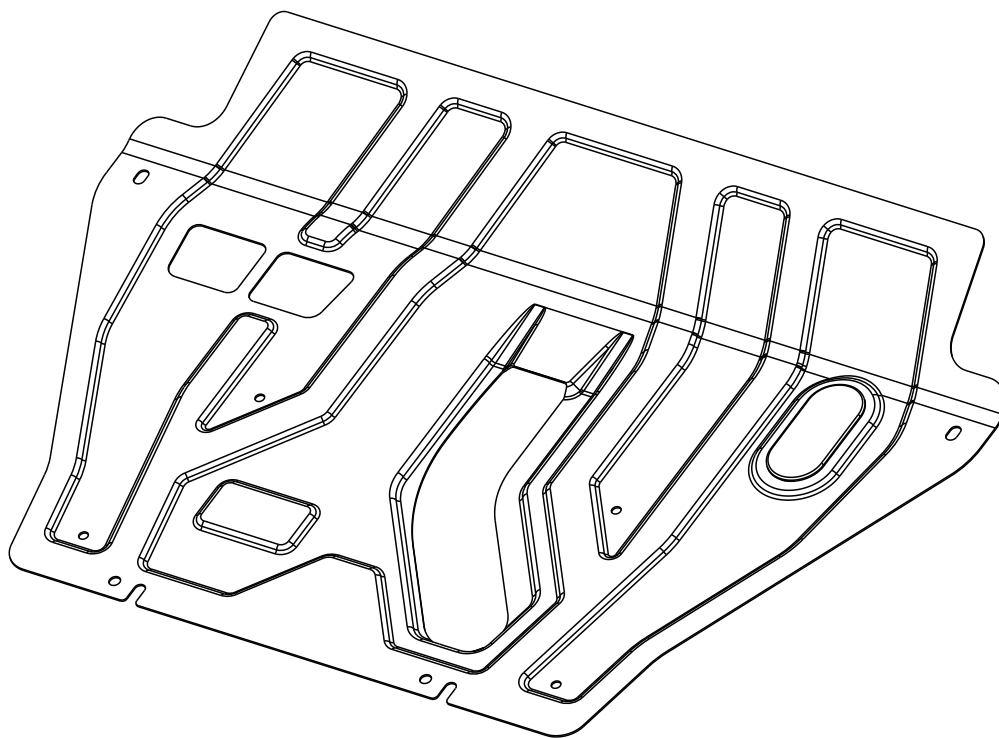
Steel: 9,07 kg
Aluminium: 5,88 kg



Installation Time

15-30 min

A



PZ4AL-08760-60

B1



x2 M10x20

B2



x2 M10x100

C1



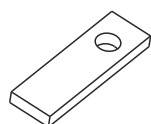
x4 Ø 10

C2



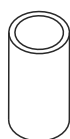
x4 Ø 10G

D



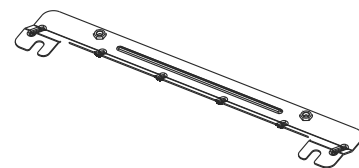
x2

E

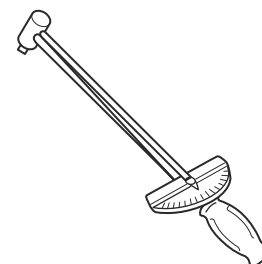
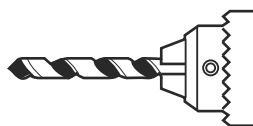
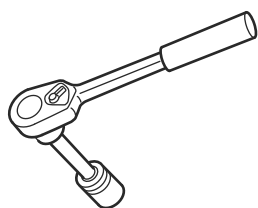


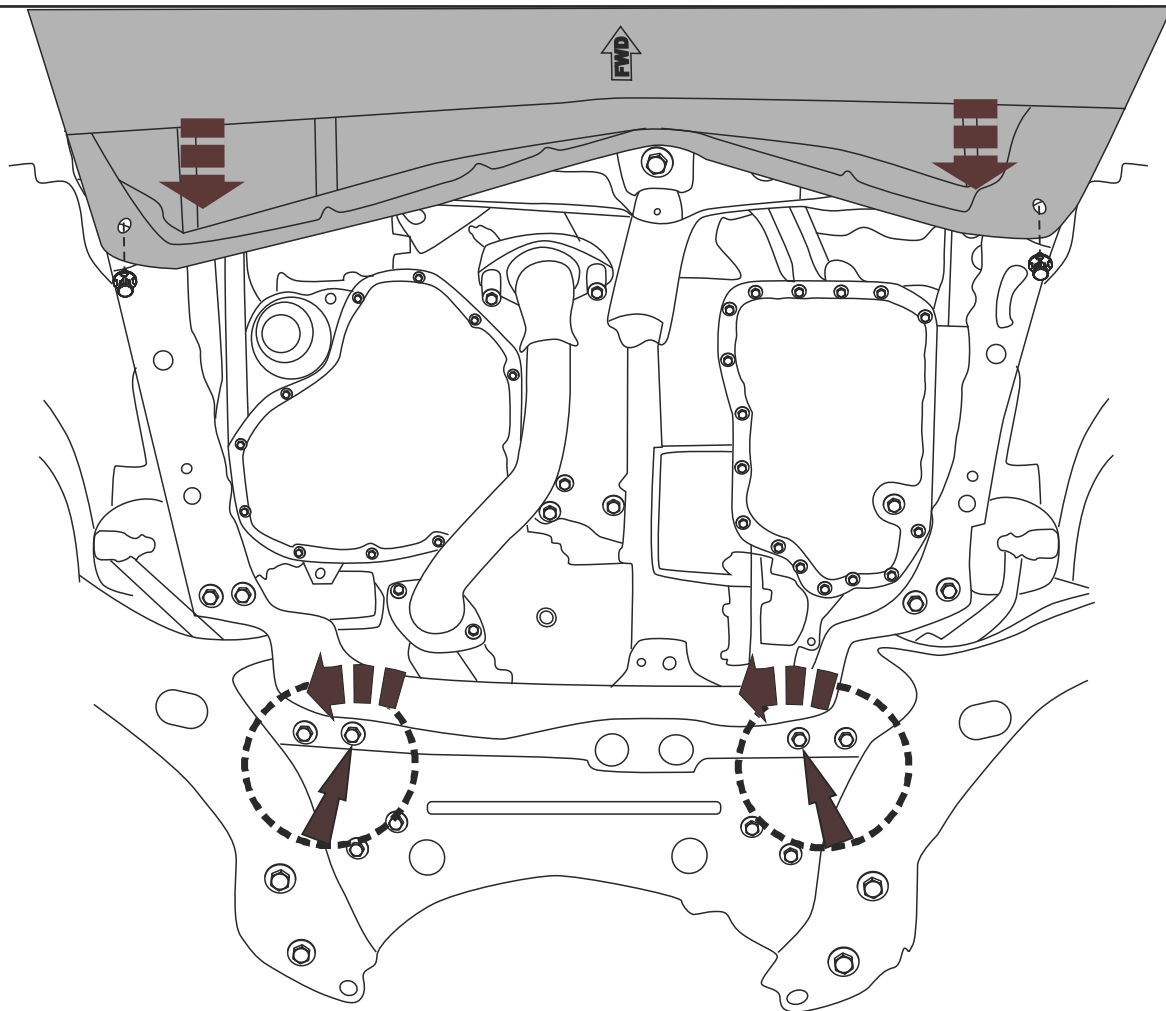
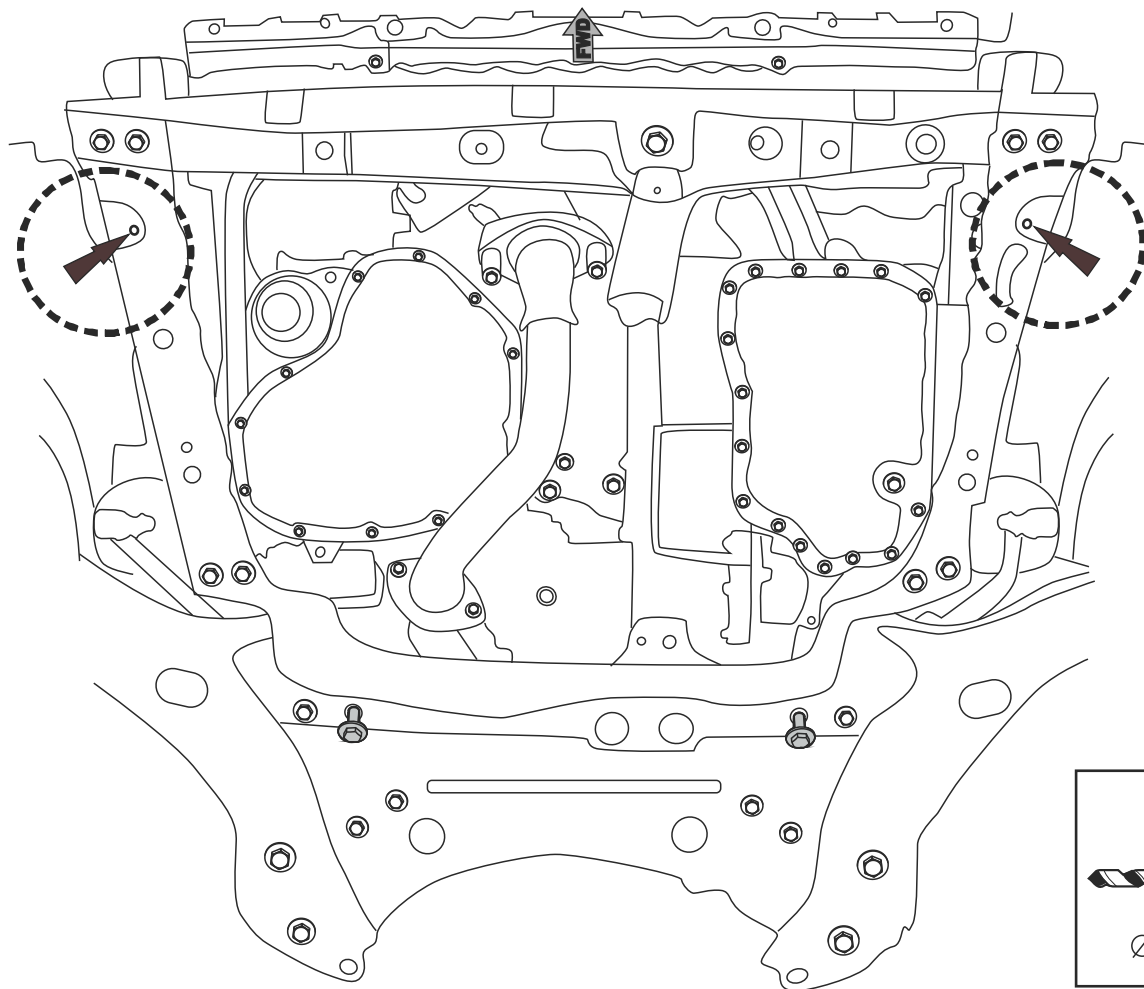
x2

F

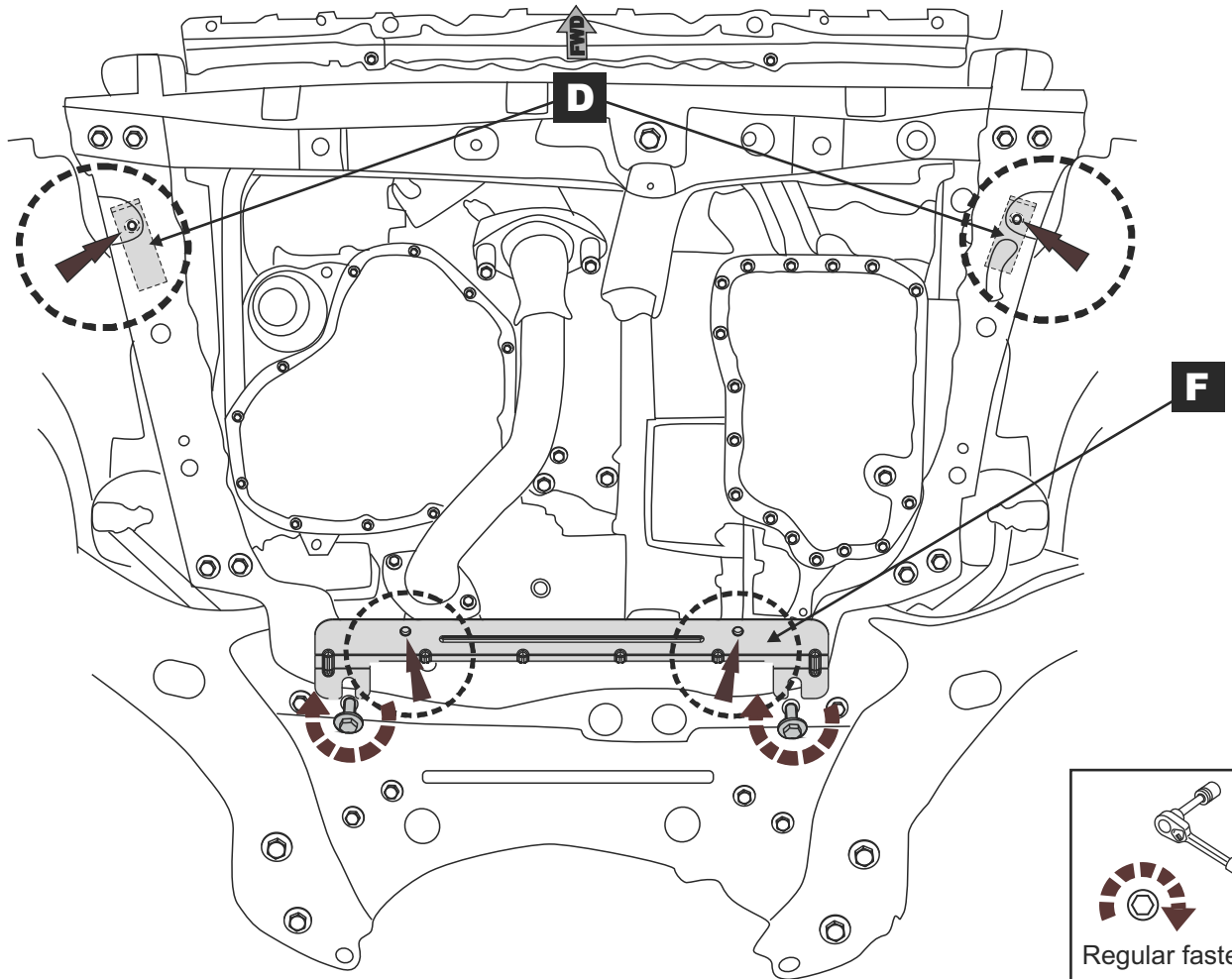


x1

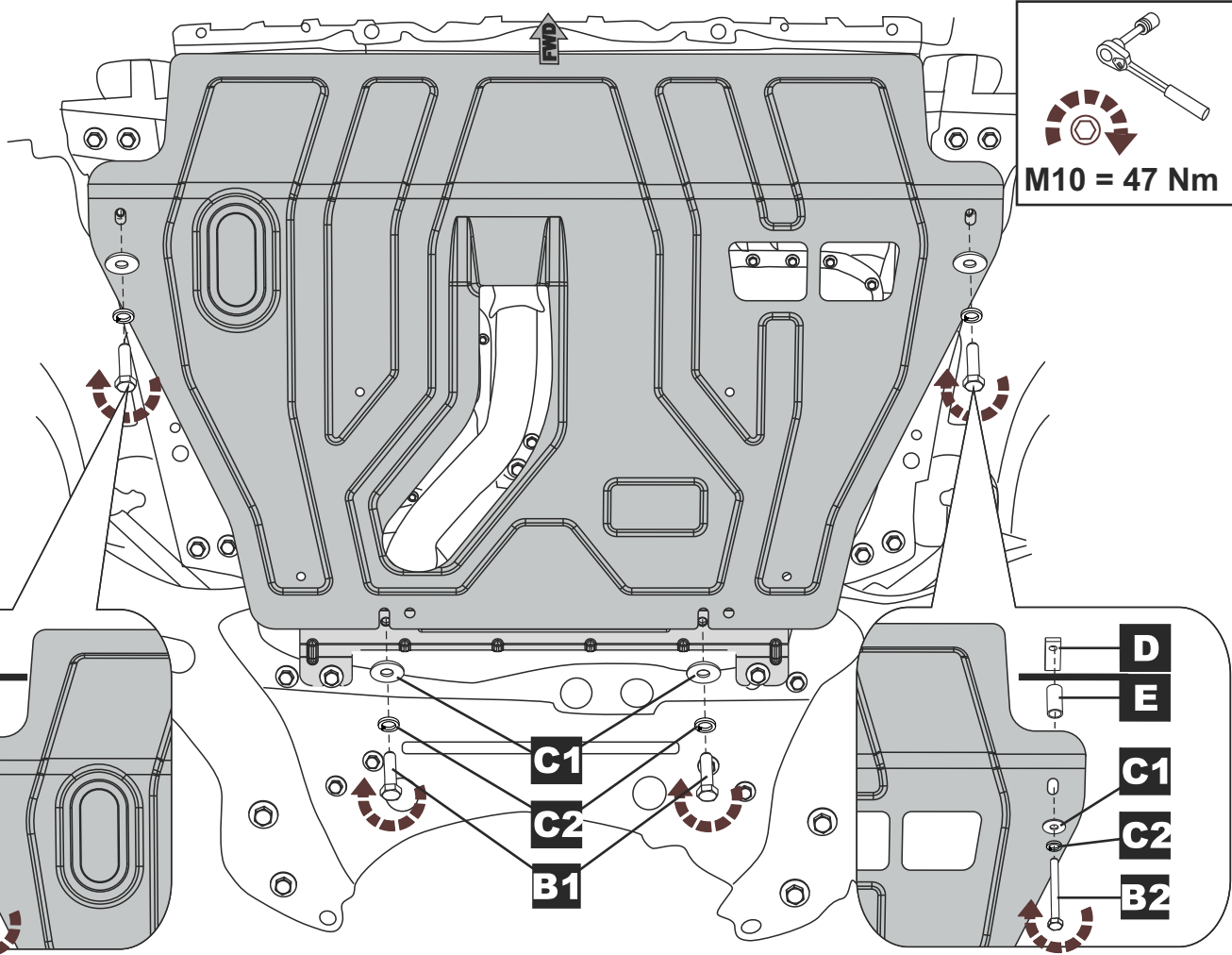


1**2**

3



4



5

